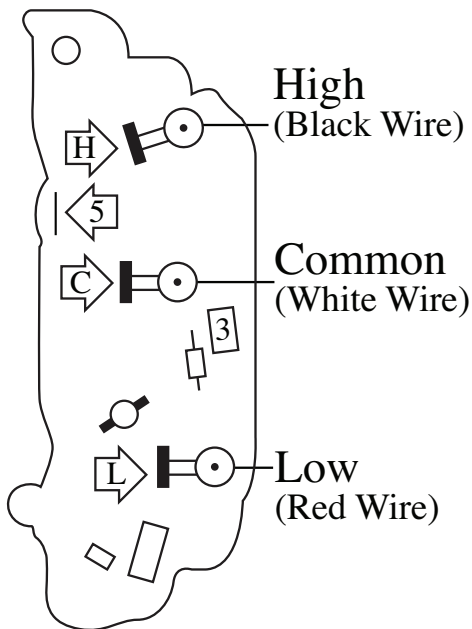




## YOU MAY DAMAGE MOTOR UNLESS YOU READ THIS TAG!!

This motor is designed to be wired for 230 volt only. This motor will not operate on 120 volt. Failure to connect to 230 volt will damage motor and void warranty. Following is a quick start guide to motor wiring configuration. All electrical must be installed by a qualified electrician. **MAKE SURE TO GROUND AND BOND MOTOR IS IN ACCORDANCE TO ALL LOCAL AND STATE CODES.**



This two speed pump requires 3 line connections plus a ground wire. The typical color for wires from spa to motor are as follows:

**White Wire** – to be connected to common terminal on motor

**Black Wire** – to be connected to high terminal on motor

**Red Wire** – to be connected to low speed terminal on motor (or left blank for 1 speed use)

**Green Wire** – to be connected to ground screw on endbell (NOT ON TERMINAL BOARD)